

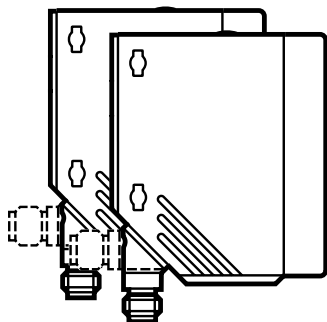


CE

Installation instructions  
Through-beam sensor

UK

**O4S2xx / O4E2xx**

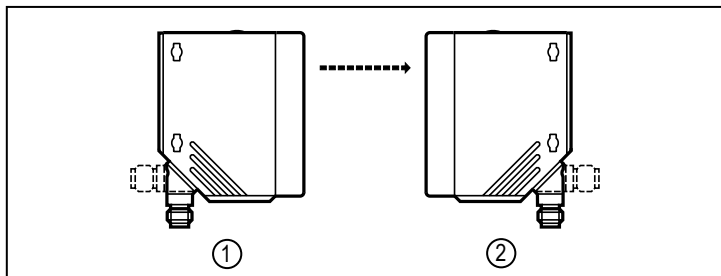


## Functions and features

The through-beam sensor detects objects and materials without contact and indicates their presence by a switched signal.

Range: 50 m.

## Installation



1: Transmitter

2: Receiver

Mount the receiver (O4E ...) by means of a mounting fixture. Then align the transmitter (O4S ...) to the receiver and fix it in the same way.

Maximum range is only achieved with precise alignment.

## Electrical connection



Disconnect power before connecting the sensor. Connection strictly to the indications on the type label.

## Operation

Check the safe functioning of the sensor.

- The green LED (transmitter) lights when the unit is ready for operation.
- The yellow LED lights (receiver) when the switching output is switched.

## Maintenance

Keep the lens of the sensor free from soiling. For cleaning do not use any solvents or cleaning agents which could damage the plastic lenses.

